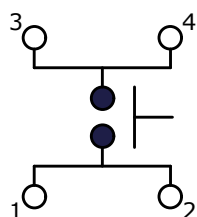
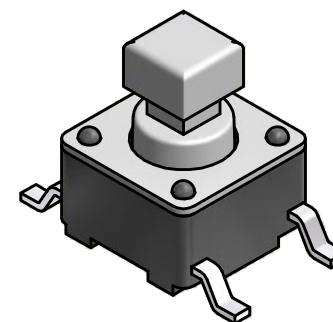
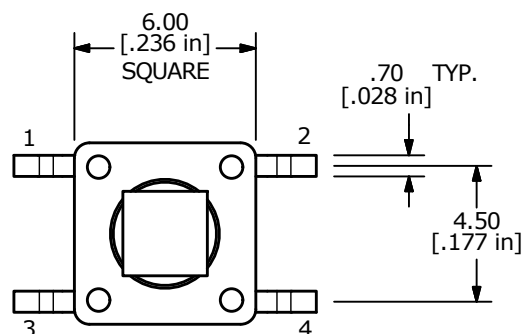
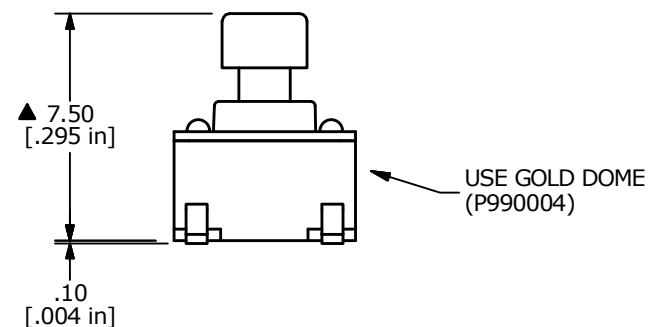
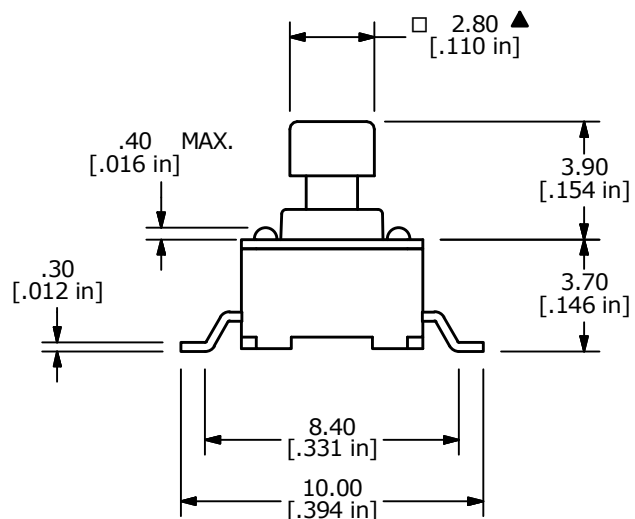


P.C.B. LAYOUT



CIRCUIT: SPST



NOTES:

1. ALL DIMENSIONS IN MM
2. GENERAL TOLERANCE: X.X = ±0.4
X.XX = ±0.25
3. TERM. NOS. FOR REFERENCE ONLY.
4. RATING: 12VDC, 50mA
- ▲ 5. OPERATING FORCE: 260 ± 50gf
6. TRAVEL: 0.25mm +0.2/-0.1mm
7. CONTACT RESISTANCE: 100 MILLI OHMS MAX. (INITIAL)
8. MECHANICAL/ELECTRICAL LIFE: 100,000 CYCLES.
- ▲ 9. CONTACT MATERIAL: GOLD
10. 2011/65/EU (ROHS) COMPLIANT
- ▲ 11. PACKAGING: 750 PIECE/REEL
12. ▲ DENOTES CRITICAL PARAMETER



D	23159	Drawing Update	1/12/18	MW
C	16692	REVISED AND REDRAWN	11/22/06	TN
REV	PCR NO	DESCRIPTION	DATE	BY

TITLE TL3301SPF260RG				
SCALE	DATE	DR	DWG	REV
4:1	11/22/2006	TN	P010802	D

THE INFORMATION CONTAINED IN THIS DOCUMENT IS PROPRIETARY TO E-SWITCH AND IS NOT TO BE COPIED OR TRANSFERRED